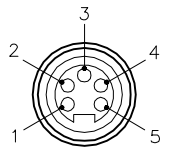


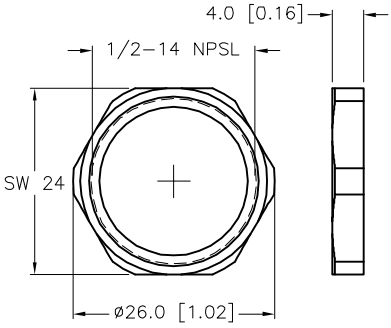
FEMALE END VIEW

LOCKNUT

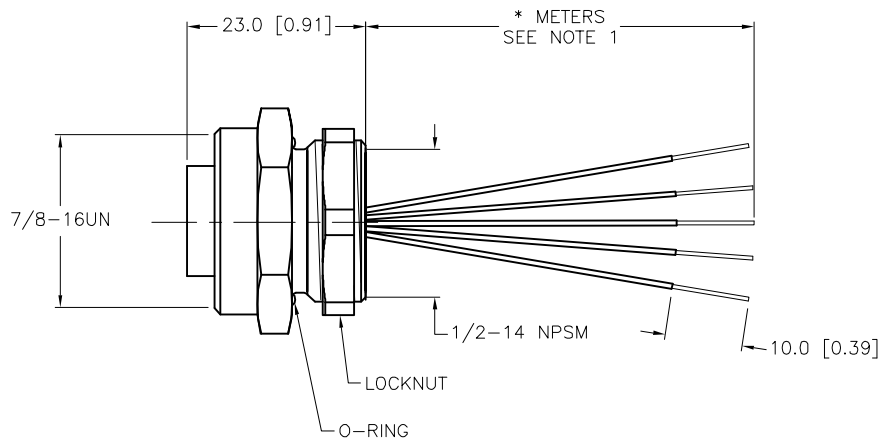
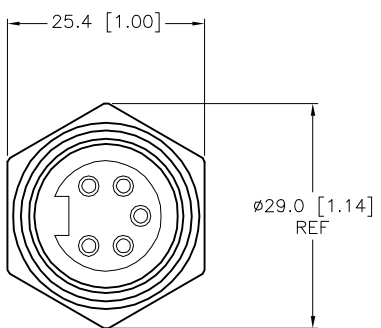
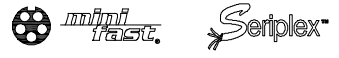
SPECIFICATIONS



- 1 = ORANGE (DRAIN)
- 2 = RED (+ VOLTAGE)
- 3 = BLACK (COMMON)
- 4 = BLUE (CLOCK)
- 5 = WHITE (DATA)



| | |
|--------------------------------|---|
| CONTACT CARRIER MATERIAL/COLOR | TPU/BLACK |
| CONTACT MATERIAL/PLATING | BRASS/GOLD |
| HOUSING MATERIAL/PLATING | BRASS/NICKEL |
| RATED CURRENT [A] | 9.0 A |
| RATED VOLTAGE [V] | 300 V |
| CONDUCTOR INSULATION MATERIAL | POLYETHYLENE |
| NUMBER OF CONDUCTORS [AWG] | 5x16 AWG |
| TEMPERATURE RATING | -40°C to +80°C (-40°F to +176°F) |
| PROTECTION CLASS | NEMA 1,3,4,6P,12 & IECIP67, IP68,IP69,IP69K |



| CABLE LENGTH | TOLERANCE * |
|--------------|---|
| ALL LENGTHS | + 4% (OR 50mm) OF LENGTH - 0% (OR 0mm) OF LENGTH WHICHEVER IS GREATER |
| STRIP LENGTH | TOLERANCE * |
| 0-7mm | ±0.5mm |
| 8-29mm | ±1.0mm |
| 30-49mm | ±2.0mm |
| 50-69mm | ±3.0mm |
| 70-100mm | ±4.0mm |
| OVER 100mm | ±5.0mm |

* UNLESS OTHERWISE SPECIFIED

SOURCE DRAWING - FOR REFERENCE ONLY

- NOTES:
- "*" INDICATES LEAD LENGTH IN METERS. CONTACT TURCK TO ORDER SPECIFIC LENGTHS.
 - "W/LN" DESIGNATES LOCKNUT IS INCLUDED WITH RECEPTACLE ASSEMBLY.

| | | | | | |
|---|---|--|---------------|--|--|
| RELATED DOCUMENTS 1. 2. 3. 4. | 3RD ANGLE PROJECTION | THIS DRAWING IS CONFIDENTIAL AND THE PROPERTY OF TURCK INC. USE OF THIS DOCUMENT WITHOUT WRITTEN PERMISSION IS PROHIBITED. | | 3000 CAMPUS DRIVE MINNEAPOLIS, MN 55441 1-800-544-7769 (763) 553-7300 (763) 553-0708 fax www.turck.us | |
| | MATERIAL | DRFT RDS | DATE 04/07/09 | DESCRIPTION RKF 58-*M W/LN | |
| FINISH | ALL DIMENSIONS DISPLAYED ON THIS DRAWING ARE FOR REFERENCE ONLY | APVD | SCALE 1=1.0 | IDENTIFICATION NO. | |
| CONTACT TURCK FOR MORE INFORMATION | | UNIT OF MEASUREMENT MILLIMETER [INCH] | | REV E | |
| DO NOT SCALE THIS DRAWING | | FILE: 777024364 | | SHEET 1 OF 1 | |

| | | | | |
|-----|----------------|----|----------|--------------|
| E | UPDATE LOCKNUT | LV | 02/06/23 | 500000007831 |
| REV | DESCRIPTION | BY | DATE | ECO NO. |